

# Single Pole and Base

Available in 8' and 10' lengths

From: **ALLOY CASTINGS CO., INC.**

Quality Aluminum Castings Since 1948

151 West Union Street • East Bridgewater, MA 02333-0473

Telephone: (508) 378-2541 • FAX: (508) 378-1240

www.alloycastings.com



## MATERIAL SPECIFICATIONS...

**POLE: 6063-T6 Aluminum**

**.156 Wall Thickness with a 6" to 4 1/2" Taper**

**Other wall thicknesses are available. Variations in Taper are also available.**

**M.I.G. welding is done using a 5356 aluminum alloy wire.**

**Continuously welded to the inside and outside of the base.**

**Vibration dampers are available.**

**Satin Brush Finish.**

**All Pole Lengths are available.**

**3', 4' 4", 8', 10' and 12' are in stock.**

**BASE: 356 Cast Aluminum. Base contains an internal grounding stud for the purpose of attaching a ground connector.**

**Removable 8 5/16" x 13 5/16" x 10" door.**

**Vandal Resistant 304 Stainless Steel Screw is used to lock door.**

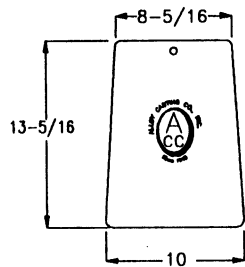
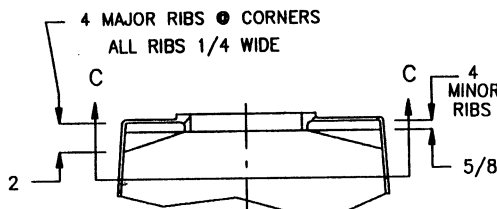
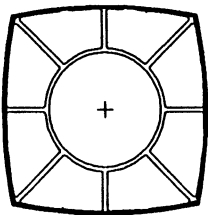
**All Hardware is 304 Stainless Steel.**

**One Coat Bituminous Paint on bottom of base.**

**Anchor Bolts are available 3/4" x 25" long 4" thread and 4" hook.**

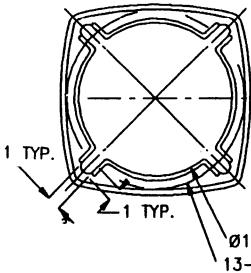
**Galvanized Steel with Nuts, lock Washers and Flat Washers. 4 each required.**

VIEW AT C-C

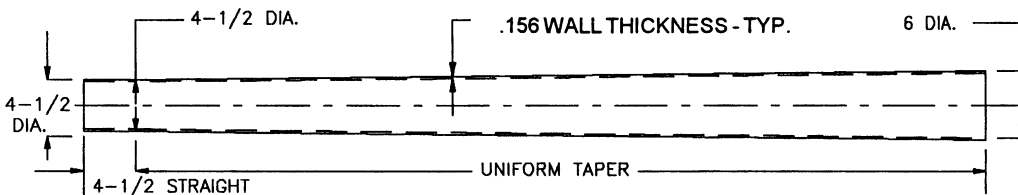
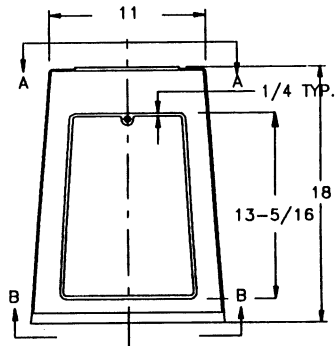
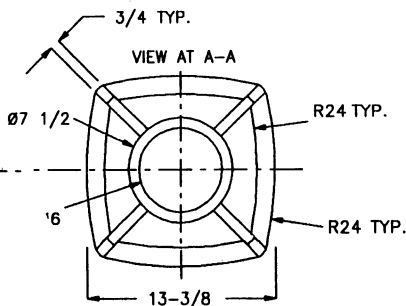


REMOVABLE DOOR

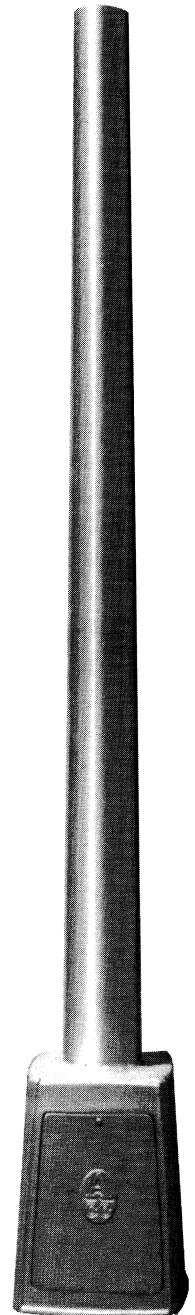
VIEW AT B-B



VIEW AT A-A



TYPICAL POLE LENGTHS ARE SPECIFIED.



**Model ACTB-20-695**  
Single Pole & Base