



**From: ALLOY CASTINGS CO., INC.**

*Quality Aluminum Castings Since 1948*

151 West Union Street • East Bridgewater, MA 02333-0473

Telephone: (508) 378-2541 • FAX: (508) 378-1240

www.alloycastings.com

## Traffic Light Bases

### Material Specifications

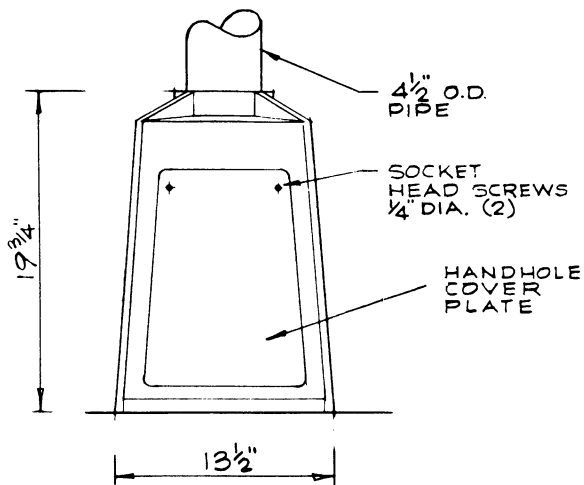
Aluminum 356 Alloy (ASTM SG70A)

Conforming to ASTM Spec B26 for Sand Castings with Minimum Yield

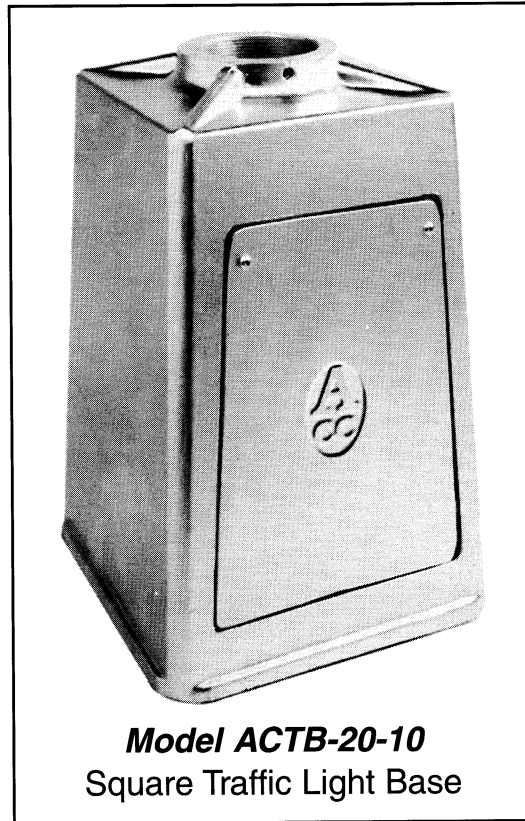
**Strength:** Tension: 18 KSI    Compression: 19KS    Shear: 17KSI

**All hardware 304 Stainless Steel.**

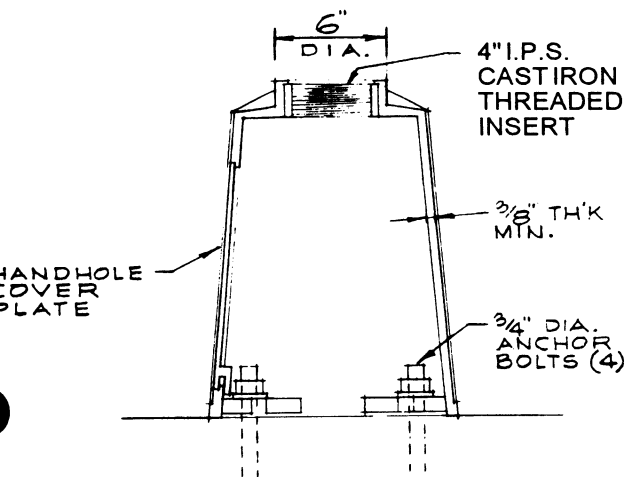
**Base contains internal grounding stud.**



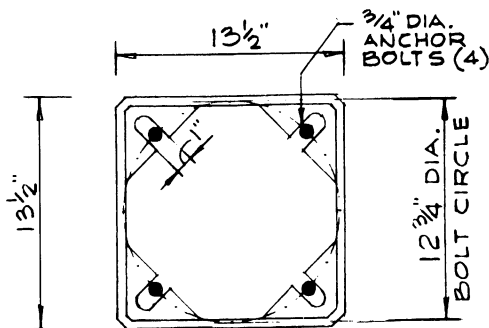
**ELEVATION**



**Model ACTB-20-10**  
Square Traffic Light Base



**SECTION**



**Bolt Circle 12-3/4" DIA.**  
**BOTTOM PLAN**