



Traffic Light Bases

From: **ALLOY CASTINGS CO., INC.**

Quality Aluminum Castings Since 1948

151 West Union Street • P.O. Box 473 • East Bridgewater, MA 02333-0473

Telephone: (508) 378-2541 • FAX: (508) 378-1240

www.alloycastings.com

Material Specifications

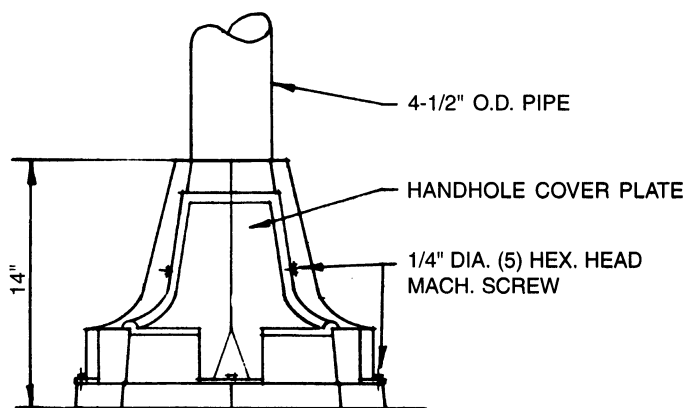
Aluminum Alloy 356 (ASTM SG70A)

Conforming to ASTM Spec B26 for Sand Castings with Minimum Yield

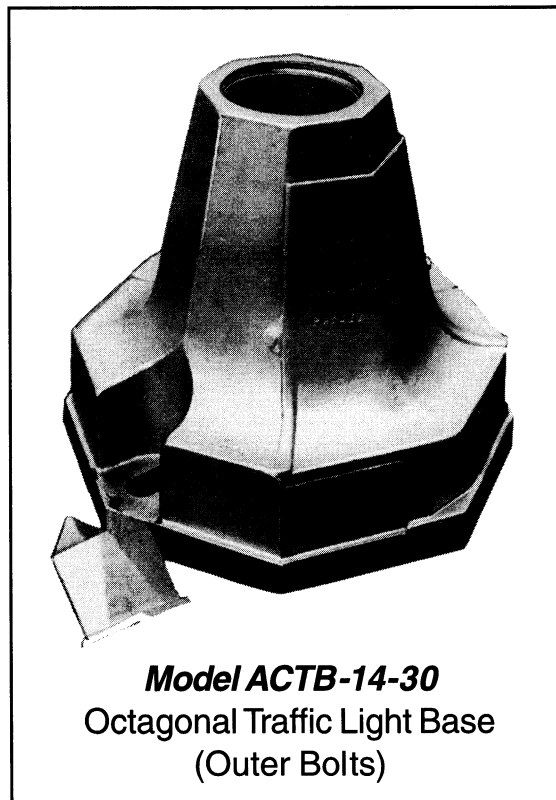
Strength: Tension: 18 KSI Compression: 19KSI Shear: 17KSI

All hardware 304 Stainless Steel.

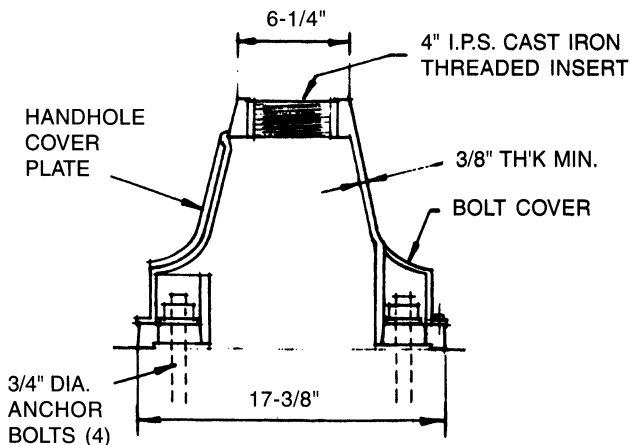
Base contains internal grounding stud.



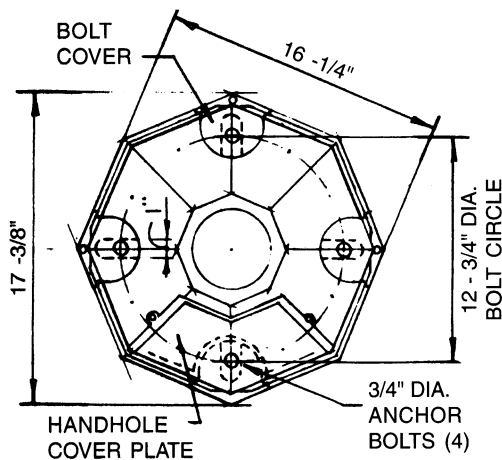
ELEVATION



Model ACTB-14-30
Octagonal Traffic Light Base
(Outer Bolts)



SECTION



Bolt Circle 12-3/4" DIA.
PLAN