



# Traffic Light Base

From: **ALLOY CASTINGS CO., INC.**  
*Quality Aluminum Castings Since 1948*

151 West Union Street • East Bridgewater, MA 02333-0473  
 Telephone: (508) 378-2541 • FAX: (508) 378-1240  
 www.alloycastings.com

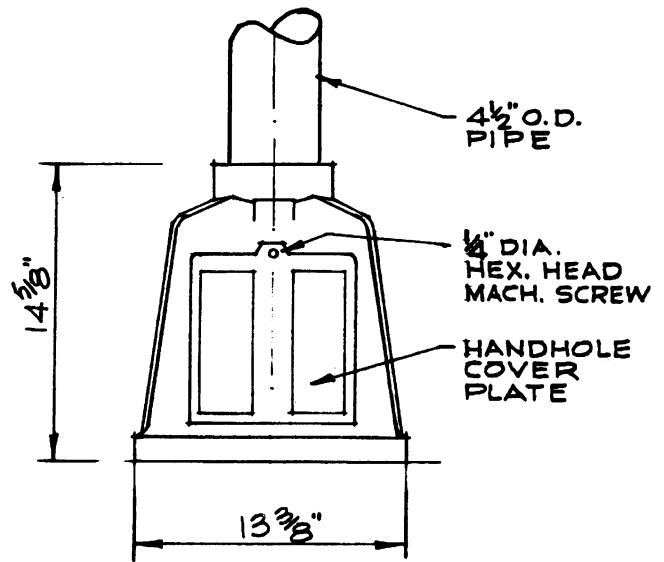
## MATERIAL SPECIFICATIONS...

Aluminum Alloy 356 (ASTM SG70A)  
 Conforming to ASTM Spec B26 for Sand Castings with Minimum Yield  
**STRENGTH:** Tension: 18 KSI    Compression: 19KSI    Shear: 17 KSI

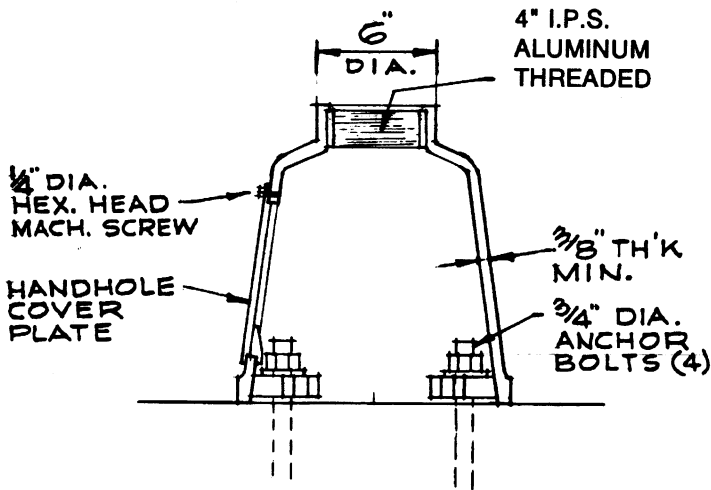
**All hardware 304 Stainless Steel.**  
**Base contains internal grounding stud.**



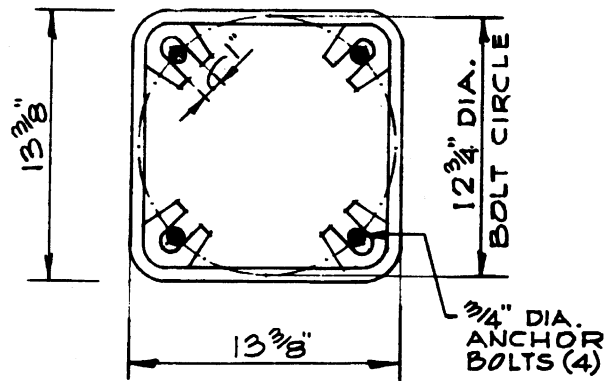
**Model ACTB-14-15**  
 Square Traffic Light Base



**ELEVATION**



**SECTION**



**Bolt Circle 12 3/4" DIA.**

**BOTTOM PLAN**

As is true of all our castings, this model is warranted to be designed and manufactured to provide dependable, reliable and long-life service under most rigorous conditions.