



# Transformer Base

From: **ALLOY CASTINGS CO., INC.**  
*Quality Aluminum Castings Since 1948*

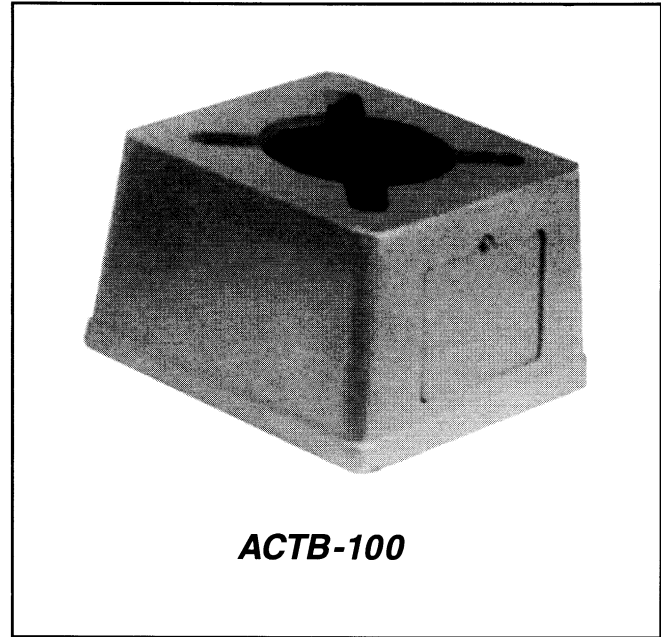
151 West Union Street • P.O. Box 473 • East Bridgewater, MA 02333-0473  
Telephone: (508) 378-2541 • FAX: (508) 378-1240  
www.alloycastings.com

## Material Specifications

Aluminum Alloy 356 (ASTM SG70A)  
Conforming to ASTM Spec B26 for Sand Castings  
with Minimum Yield

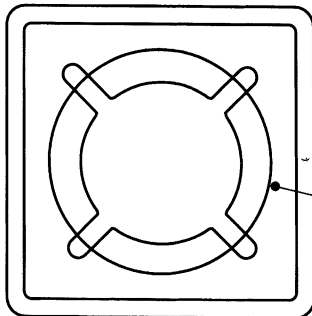
**Strength:** Tension: 18 KSI  
Compression: 19KSI  
Shear: 17KSI

**All hardware 304 Stainless Steel.**



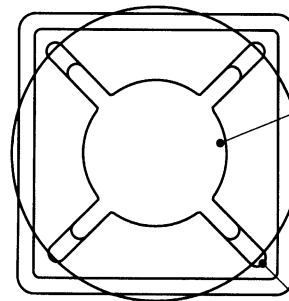
**ACTB-100**

## TOP PLAN



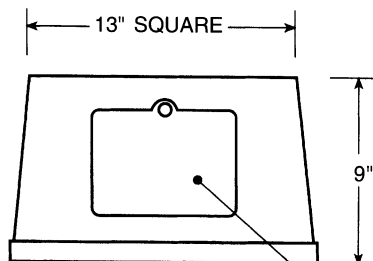
9" to 11" DIA. ±  
BOLT CIRCLE

## BOTTOM PLAN



7" DIA. ± CLEAR

9" TO 15" DIA. ±  
BOLT CIRCLE FOR  
3/4 ANCHOR BOLTS



13" SQUARE

9"

5 X 7" ACCESS DOOR

14-3/4" SQUARE