



Single Pole and Round Base

From: **ALLOY CASTINGS CO., INC.**
Quality Aluminum Castings Since 1948

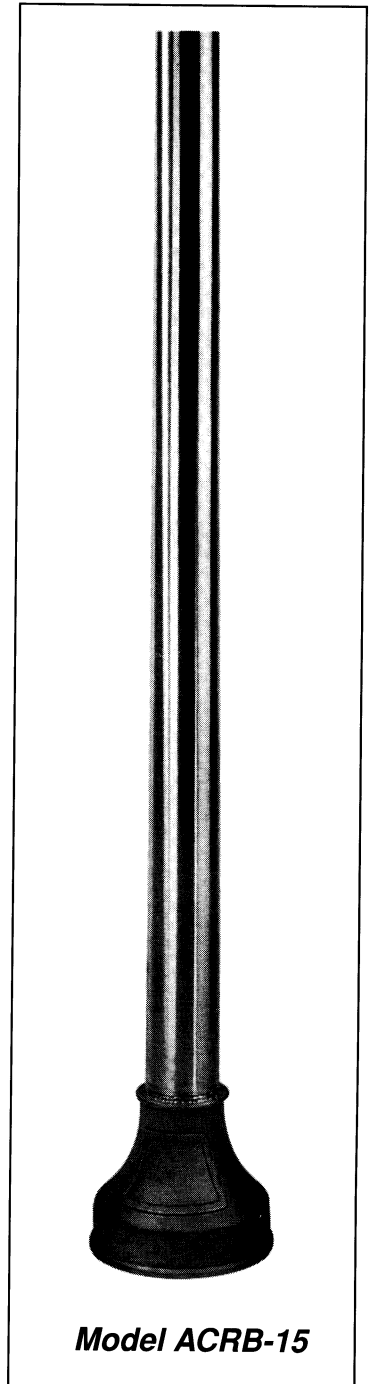
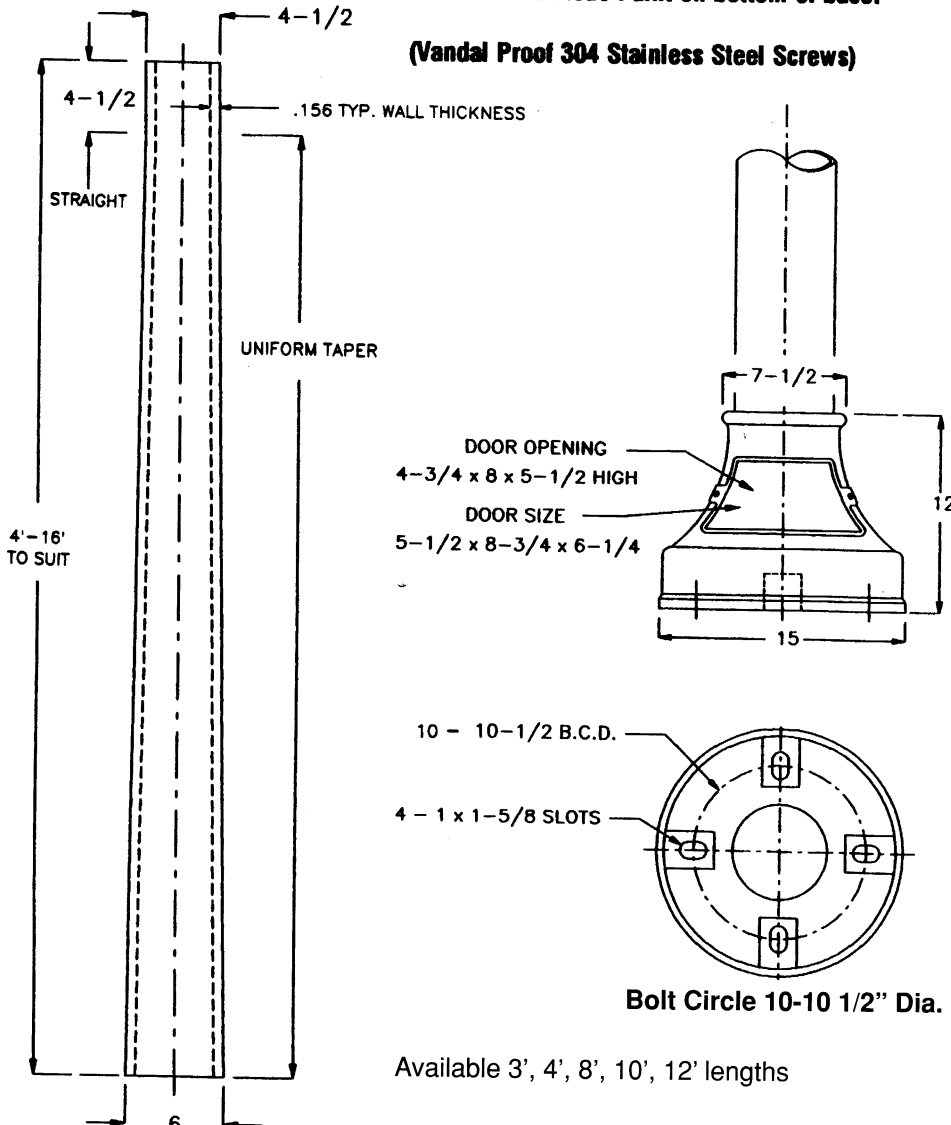
151 West Union Street • East Bridgewater, MA 02333-0473
 Telephone: (508) 378-2541 • FAX: (508) 378-1240
 www.alloycastings.com

MATERIAL SPECIFICATIONS...

POLE: 6063-T6 Aluminum
 Poles are 6" to 4 1/2" tapered
6063-T6 Aluminum Alloy .156 Wall Thickness
 Satin Brush Finish

BASE: 356 Cast Aluminum with 5 1/2" x 8 3/4" x 6 1/4" removable door.
 1/4" - 20 Ground Stud Installed.
 One Coat Bituminous Paint on bottom of base.

(Vandal Proof 304 Stainless Steel Screws)



Model ACRB-15

Available 3', 4', 8', 10', 12' lengths

As is true of all our castings, this model is warranted to be designed and manufactured to provide dependable, reliable and long-life service under most rigorous conditions.