



Mast Arm Base

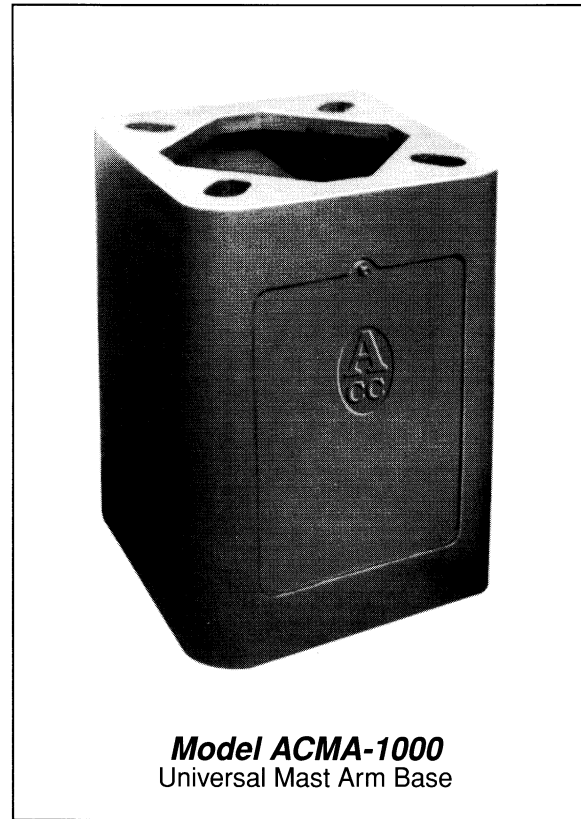
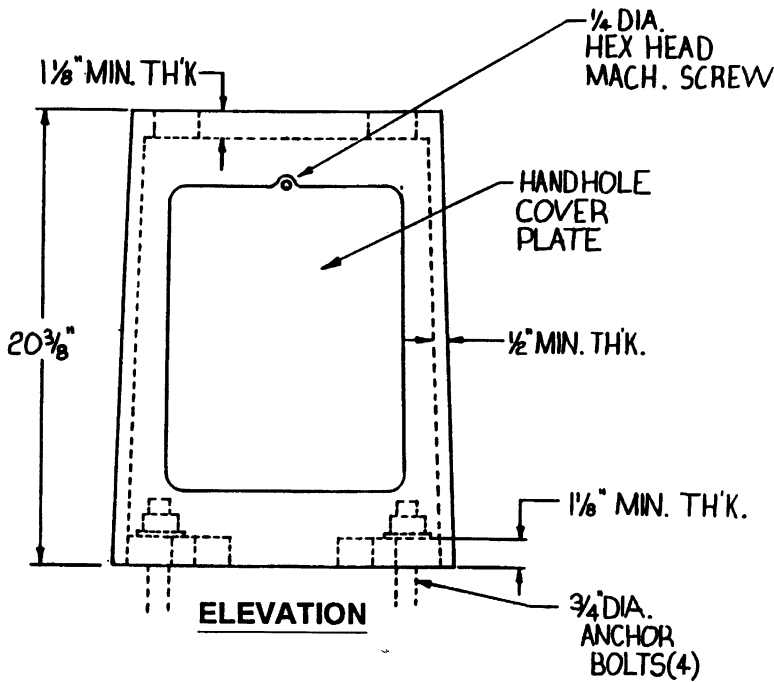
From: ALLOY CASTINGS CO., INC.
Quality Aluminum Castings Since 1948

151 West Union Street • East Bridgewater, MA 02333-0473
 Telephone: (508) 378-2541 • FAX: (508) 378-1240
 www.alloycastings.com

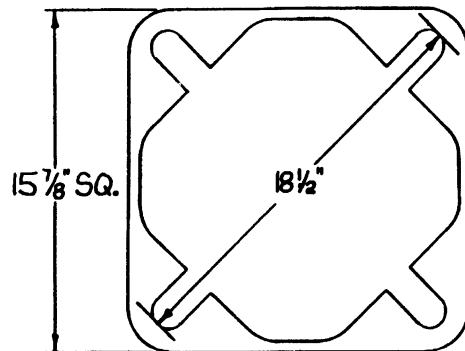
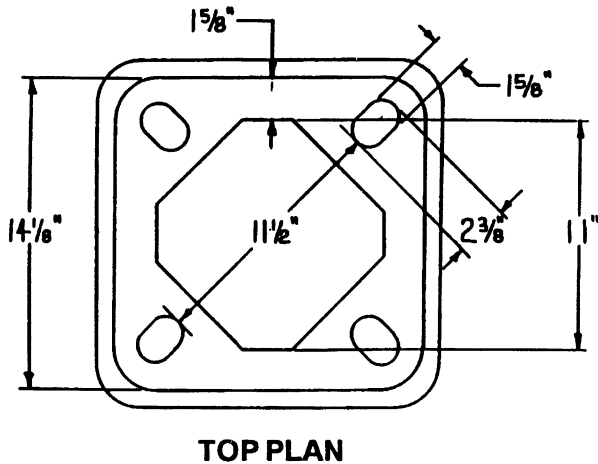
MATERIAL SPECIFICATIONS...

Aluminum Alloy 356 (ASTM SG70A)
 Conforming to ASTM Spec B26 for Sand Castings with Minimum Yield
 STRENGTH: Tension: 18 KSI Compression: 19KSI Shear: 17 KSI

All hardware 304 Stainless Steel.
Base contains internal grounding stud.



Bolt Circles are Compatible with TB-2 Bases



As is true of all our castings, this model is warranted to be designed and manufactured to provide dependable, reliable and long-life service under most rigorous conditions.