



**From: ALLOY CASTINGS CO., INC.**  
*Quality Aluminum Castings Since 1948*

151 West Union Street • East Bridgewater, MA 02333  
 Telephone: (508) 378-2541 • FAX: (508) 378-1240  
 www.alloycastings.com

# Quincy Style Decorative Pole

## LAMP POST SPECIFICATIONS

**Style:** Quincy  
**Height:** 9' ± and 10'7" ±  
**Base:** 13-1/2" ± Round  
**Tenon:** 4 3/4" x 2 7/8" Diameter  
*Optional Tenon Heights and Diameter Available*

**Material:** Heavy Wall Cast - Aluminum  
 356 Alloy

**Finish:** Primed and Finish Painted to your Specifications

**Access Door:** Located in Base

**Anchor Bolts:** (4) 3/4" x 24" plus 3" Hook including 1 lock washer  
 2 flat washers and two nuts.  
 Fully Galvanized.

**Bolt Projection:** 3" Above Foundation

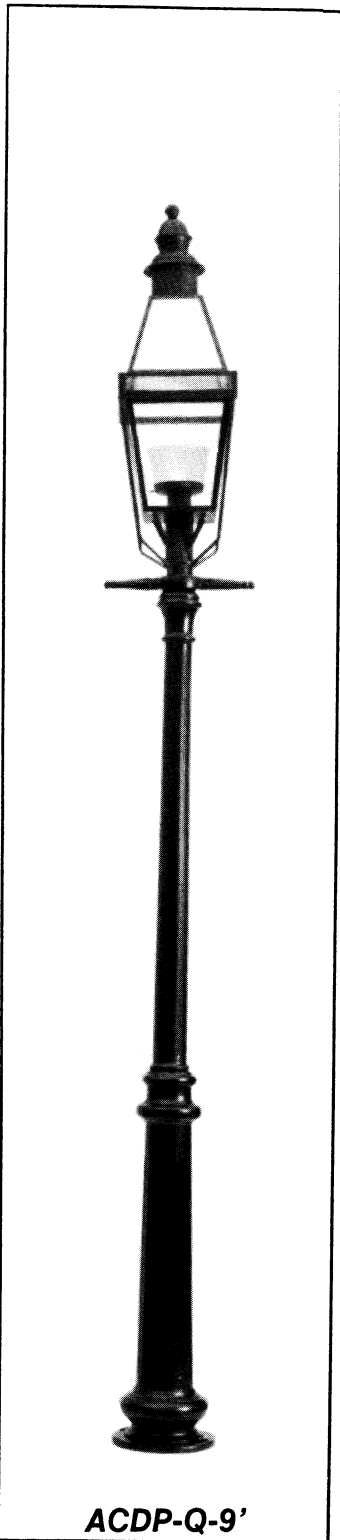
**Bolt Circle:** 11-3/8" ± Diameter

**Features:** Post Heights Available as 9' ± and 10' 7" ± in Cast Aluminum. Variety of Heights Are Available Using Spun Aluminum Shafts.

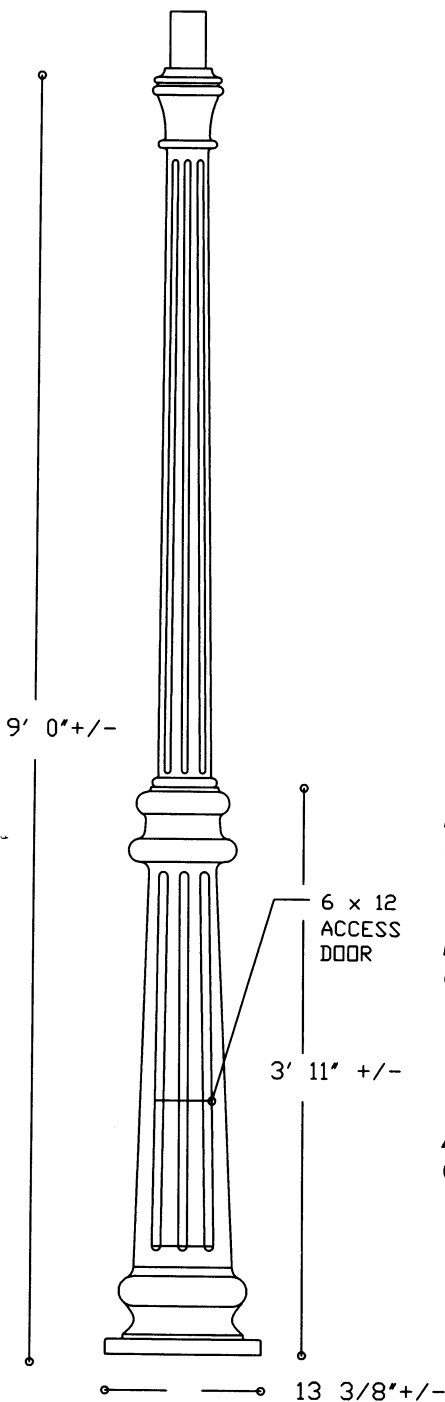
**Luminaire Options:** There is a wide variety of luminaires available. Consult factory for options.

**Finish Options:** A wide variety of colors are available using the finest quality paints. Thermostat powder coating is available upon request.

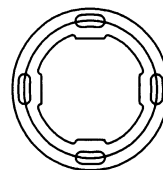
**Accessory Options:** Ladder rest, decorative brackets available.



**ACDP-Q-9'**



**SCALE: 3/4" = 1 FOOT**



11 3/8" DIA. +/- BOLT CIRCLE FOR  
 3/4" ANCHOR BOLTS

ANCHOR BOLT DETAIL