



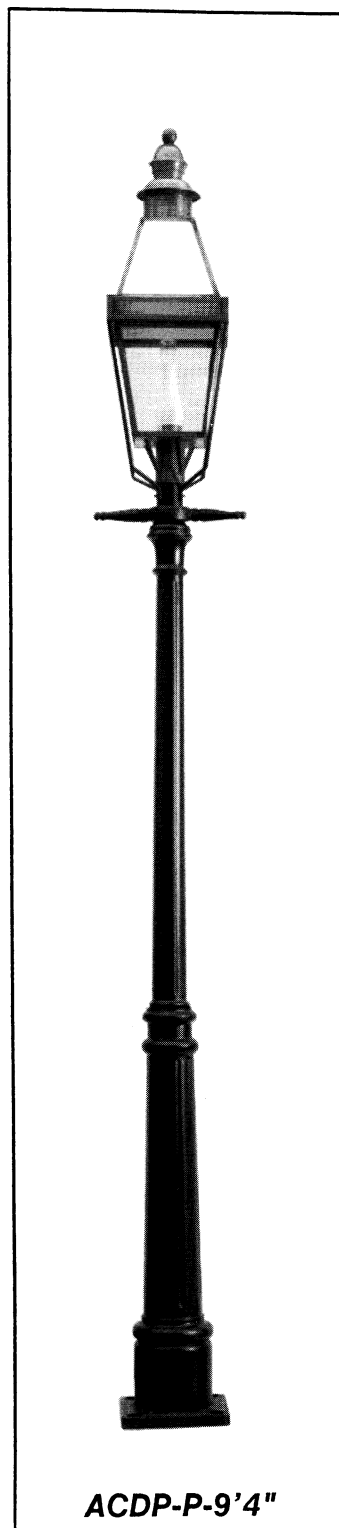
From: ALLOY CASTINGS CO., INC.
Quality Aluminum Castings Since 1948

151 West Union Street • East Bridgewater, MA 02333
 Telephone: (508) 378-2541 • FAX: (508) 378-1240
 www.alloycastings.com

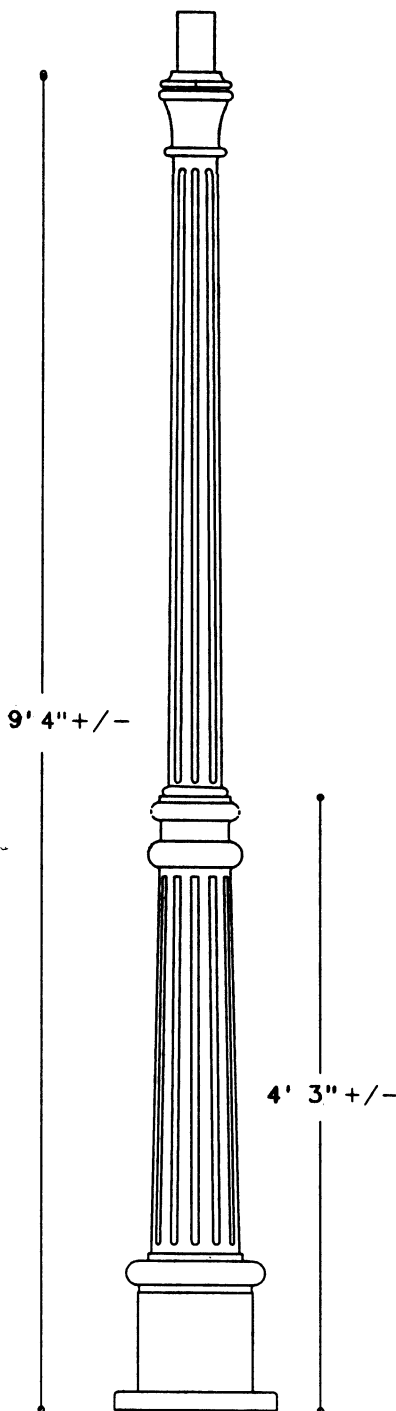
Plymouth Style Decorative Pole

LAMP POST SPECIFICATIONS

- Style:** *Plymouth*
- Height:** *9'4" ± and 11" ±*
- Base:** *13-1/2" ± Square*
- Tenon:** *4 3/4" x 2 7/8" Diameter*
Optional Tenon Heights and diameters available
- Material:** *Heavy Wall Cast - Aluminum 356 Alloy*
- Finish:** *Primed and Finish Painted to your Specifications*
- Access Door:** *Located in Base*
- Anchor Bolts:** *(4) 3/4" x 24" plus 3" Hook including 1 lock washer 2 flat washers and two nuts. Fully Galvanized.*
- Bolt Projection:** *3" Above Foundation*
- Bolt Circle:** *14-1/8" ± Diameter*
- Features:** *Post Heights Available as 9'4" ± 11' 3" ± in Cast Aluminum Variety of Heights Are Available Using Spun Aluminum Shafts.*
- Luminaire Options:** *There is a wide variety of luminaires available. Consult factory for options.*
- Finish Options:** *A wide variety of colors are available using the finest quality paints. Thermostat powder coating is available upon request.*
- Accessory Options:** *Ladder rest, decorative brackets available.*

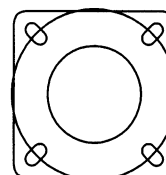


ACDP-P-9'4"



SCALE: 3/4" = 1 FOOT

ANCHOR BOLT
 DETAIL



14 1/8" DIA. BOLT CIRCLE FOR
 3/4" ANCHOR BOLTS