



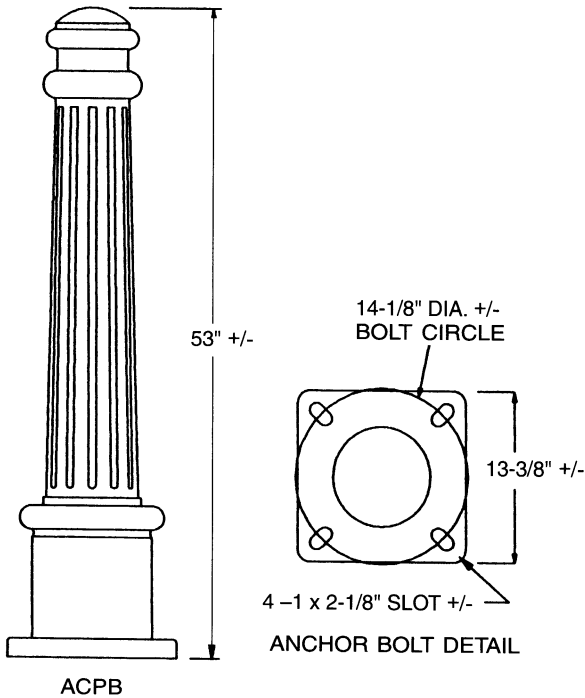
From: **ALLOY CASTINGS CO., INC.**
Quality Aluminum Castings Since 1948

151 West Union Street • East Bridgewater, MA 02333-0473
Telephone: (508) 378-2541 • FAX: (508) 378-1240
www.alloycastings.com

Plymouth Bollard

Bollard Specifications

- Style:** Plymouth
Material: Heavy Wall Cast - Aluminum 356 Alloy
Finish: Primed and Finish Painted to your Specifications
Height: 53" ±
Eyebolt: Optional
Anchor Bolts: (4) 3/4" x 24" plus 3" hook including 1 lock washer, two nuts. Fully galvanized.
Bolt Circle: 14 1/8" ± Diameter
 Dome Top or Ball Top available



Quincy Bollard

Bollard Specifications

- Style:** Quincy
Material: Heavy Wall Cast - Aluminum 356 Alloy
Finish: Primed and Finish Painted to your Specifications
Height: 48 1/2" ±
Eyebolt: Optional
Anchor Bolts: (4) 3/4" plus 3" hook including 1 lock washer, 2 flat washers and two nuts. Fully galvanized.
Bolt Circle: 11 3/8" ± Diameter
 Dome Top or Ball Top available

