

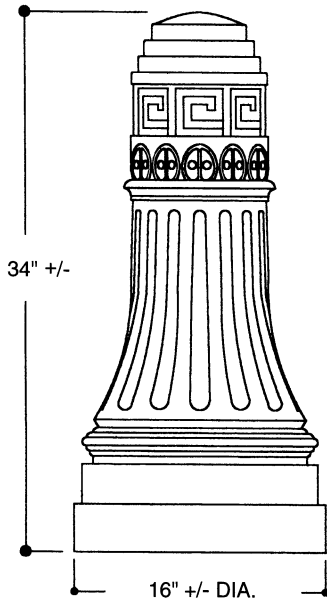


From: ALLOY CASTINGS CO., INC.
Quality Aluminum Castings Since 1948

151 West Union Street • East Bridgewater, MA 02333-0473
 Telephone: (508) 378-2541 • FAX: (508) 378-1240
 www.alloycastings.com

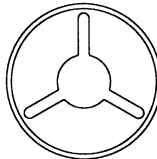
Commonwealth Bollard

Bollard Specifications



ACCB

- Style:** Commonwealth
- Material:** Heavy Wall Cast - Aluminum 356 Alloy
- Finish:** Primed and Finish Painted to your Specifications
- Height:** 34" ±
- Eyebolt:** Optional
- Access Door:** Located in Base
- Anchor Bolts:** (3) 3/4" x 24" plus 3" Hook. Fully Galvanized.
- Bolt Circle:** 16" ± Diameter
- Bollard Top:** Dome or Ball. Special Tops to your Specifications on Order.

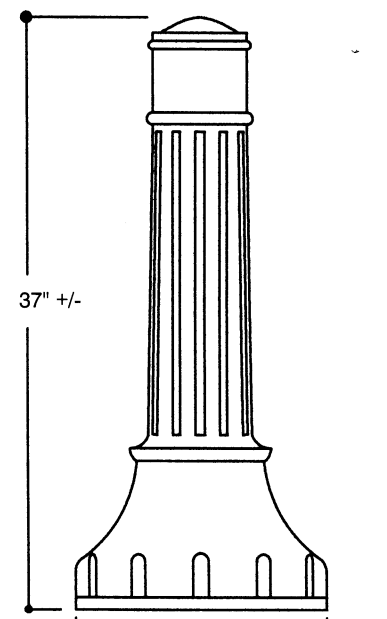


11" DIA. +/- BOLT CIRCLE
 FOR 3/4" ANCHOR BOLTS

ANCHOR BOLT DETAIL

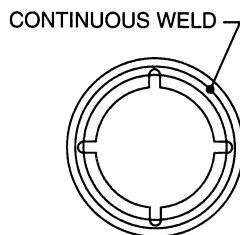
Suffolk Bollard

Bollard Specifications



ACSB

- Style:** Suffolk
- Material:** Heavy Wall Cast - Aluminum 356 Alloy
- Finish:** Primed and Finish Painted to your Specifications
- Height:** 37" ±
- Eyebolt:** Optional
- Access Door:** Located in base
- Anchor Bolts:** (4) 3/4" x 24" plus 3" Hook. Fully Galvanized.
- Bolt Circle:** 13" ± Diameter
- Bollard Top:** Dome or Ball. Special Tops to your Specifications on Order.



13" DIA. +/- BOLT CIRCLE
 FOR 3/4" ANCHOR BOLTS

ANCHOR BOLT DETAIL