



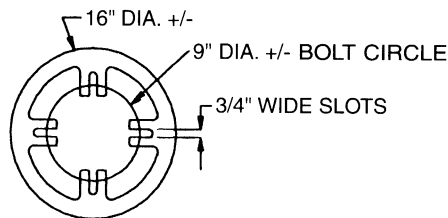
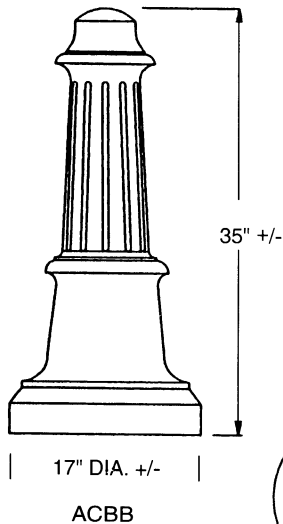
From: ALLOY CASTINGS CO., INC.
Quality Aluminum Castings Since 1948

151 West Union Street • East Bridgewater, MA 02333-0473
 Telephone: (508) 378-2541 • FAX: (508) 378-1240
 www.alloycastings.com

Bristol Bollard

Bollard Specifications

- Style:** Bristol
Material: Heavy Wall Cast - Aluminum 356 Alloy
Finish: Primed and Finish Painted to your Specifications
Height: 35" ±
Eyebolt: Optional
Access Door: Located in base
Anchor Bolts: (3) 3/4" x 24" plus 3" hook including 1 lock washer, 2 flat washers and two nuts. Fully galvanized.
Bolt Circle: 9" ± Diameter
 Dome Top or Ball Top available

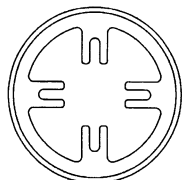
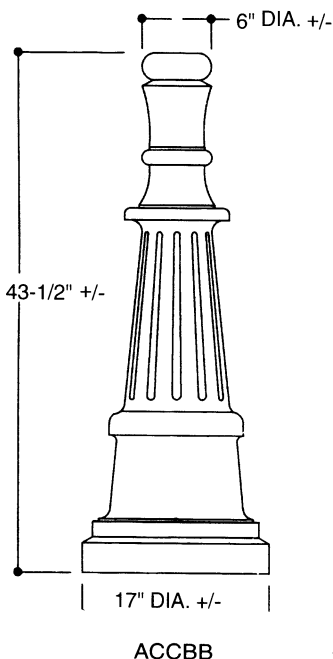


ANCHOR BOLT DETAIL

Classic Bristol Bollard

Bollard Specifications

- Style:** Classic Bristol
Material: Heavy Wall Cast - Aluminum 356 Alloy
Finish: Primed and Finish Painted to your Specifications
Height: 43 1/2" ±
Eyebolt: Optional
Access Door: Located in base
Anchor Bolts: (4) 3/4" plus 3" hook including 1 lock washer, 2 flat washers and two nuts. Fully galvanized.
Bolt Circle: 9" ± Diameter



ANCHOR BOLT DETAIL