



**From: ALLOY CASTINGS CO., INC.**  
*Quality Aluminum Castings Since 1948*

151 West Union Street • East Bridgewater, MA 02333  
 Telephone: (508) 378-2541 • FAX: (508) 378-1240  
 www.alloycastings.com

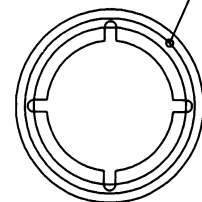
# Suffolk Style Decorative Pole

## LAMP POST SPECIFICATIONS

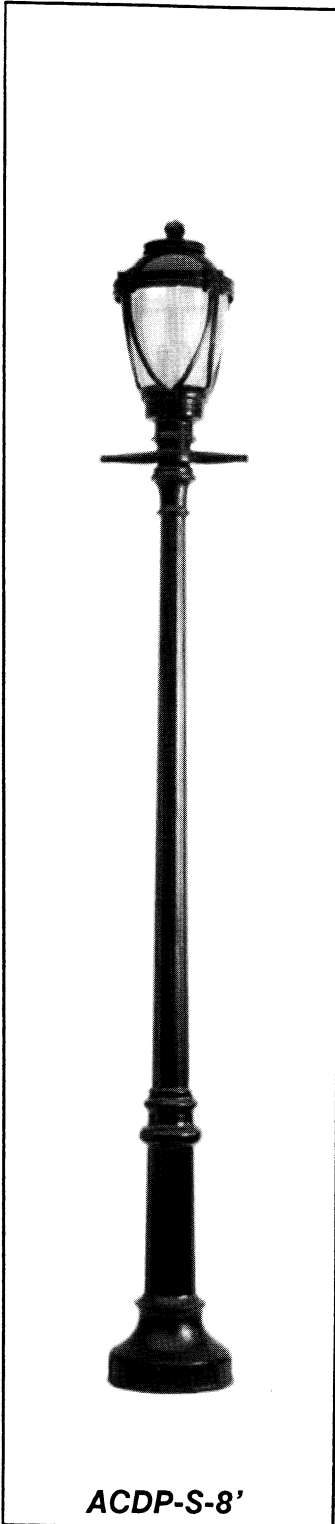
- Style:** Suffolk  
**Height:** 8' ± and 9'8" ±  
**Base:** 16" ± Round  
**Tenon:** 4 3/4" x 2 7/8" Diameter  
*Optional Heights and diameters Available*
- Material:** Heavy Wall Cast - Aluminum 356 Alloy  
**Finish:** Primed and Finish Painted to your Specifications  
**Access Door:** Located in Base  
**Anchor Bolts:** (4) 3/4" x 24" plus 3" hook including 1 lock washer, 2 flat washers and two nuts.  
**Bolt Projection:** 3" Above Foundation  
**Bolt Circle:** 13" ± Diameter
- Features:** Variety of Heights Are Available Using Spun Aluminum Shafts.
- Luminaire Options:** There is a wide variety of luminaires available. Consult factory for options.
- Finish Options:** A wide variety of colors are available using the finest quality paints. Thermostat powder coating is available upon request.

**Accessory Options:** Ladder rest, decorative brackets available.

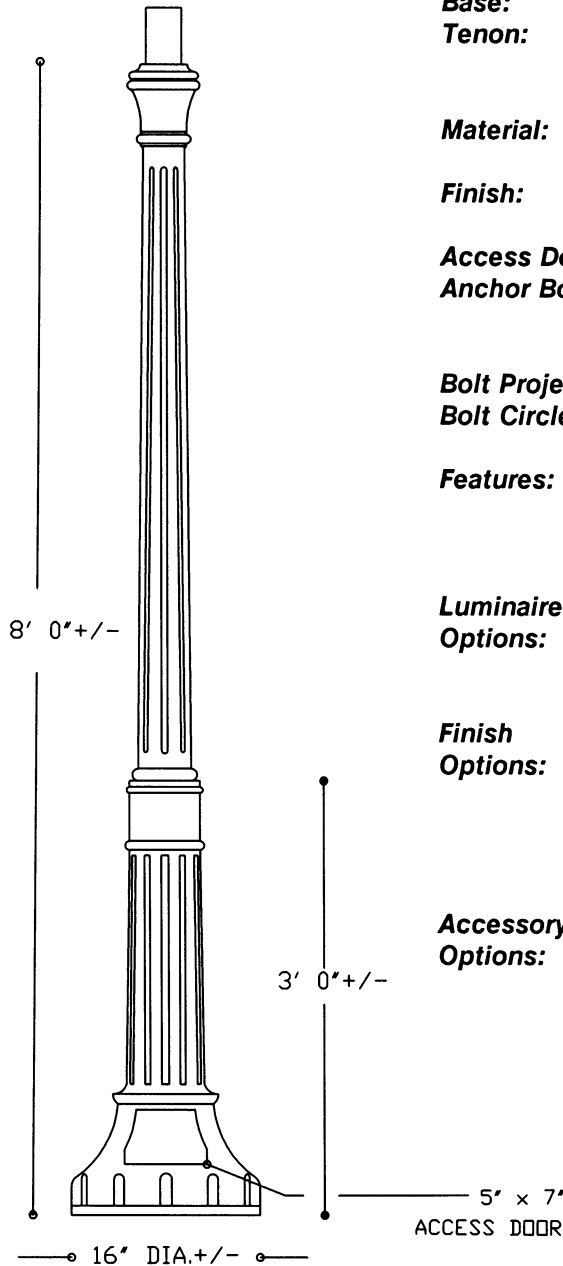
CONTINUOUS WELD



13' DIA.+/- BOLT CIRCLE FOR  
 3/4' ANCHOR BOLTS  
 ANCHOR BOLT DETAIL



**ACDP-S-8'**



SCALE: 3/4" = 1 FOOT